



# 3D DESIGNS

Tel. (33) 3804 1219

Cel. (33) 3508 6235

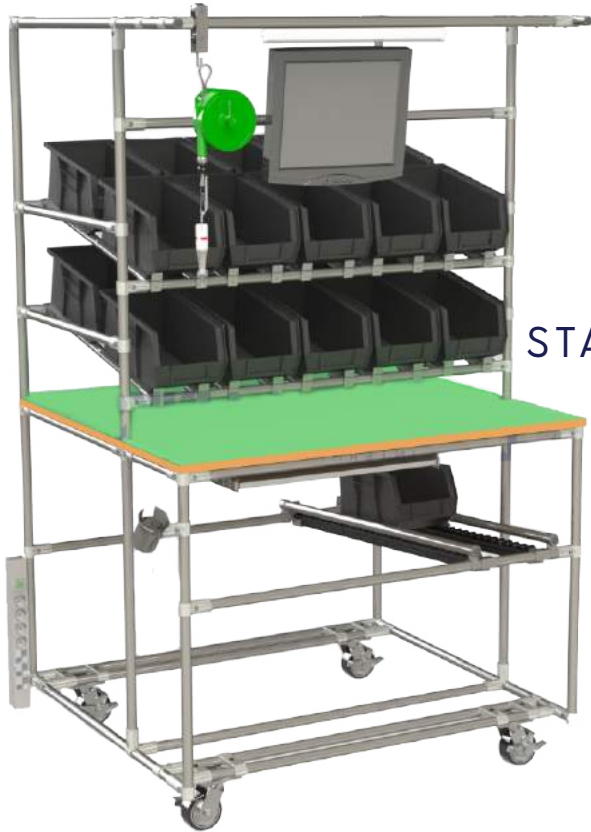
[ventas@alimexelectronics.com](mailto:ventas@alimexelectronics.com)

[www.alimexelectronics.com](http://www.alimexelectronics.com)

¡Siguenos en nuestras redes sociales!

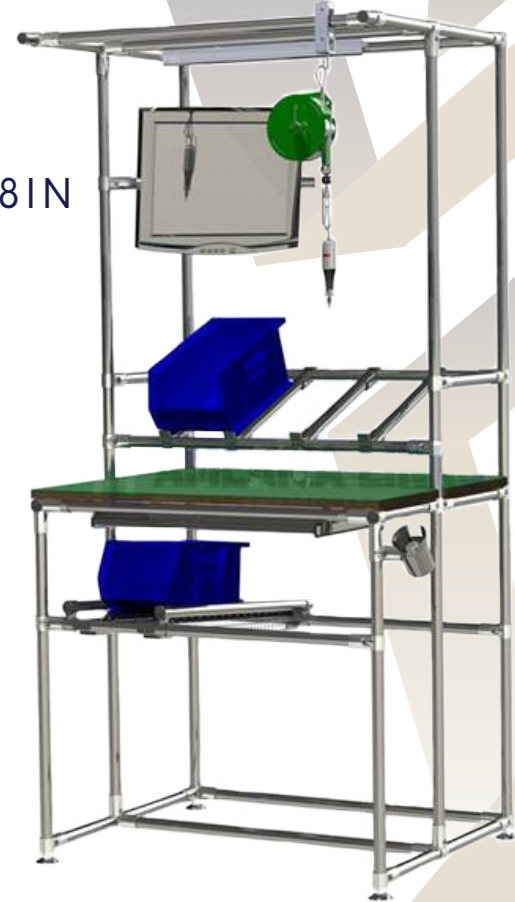


# WORKSTATION



STATION 60IN

STATION 48IN



# WORKSTATION

---



WORKSTATION WITH  
BALL TRANSFER



FOLDING STATION

# WORKSTATION

---



WORK CABINET

# ASSEMBLY STATION



# WORKSTATION

---



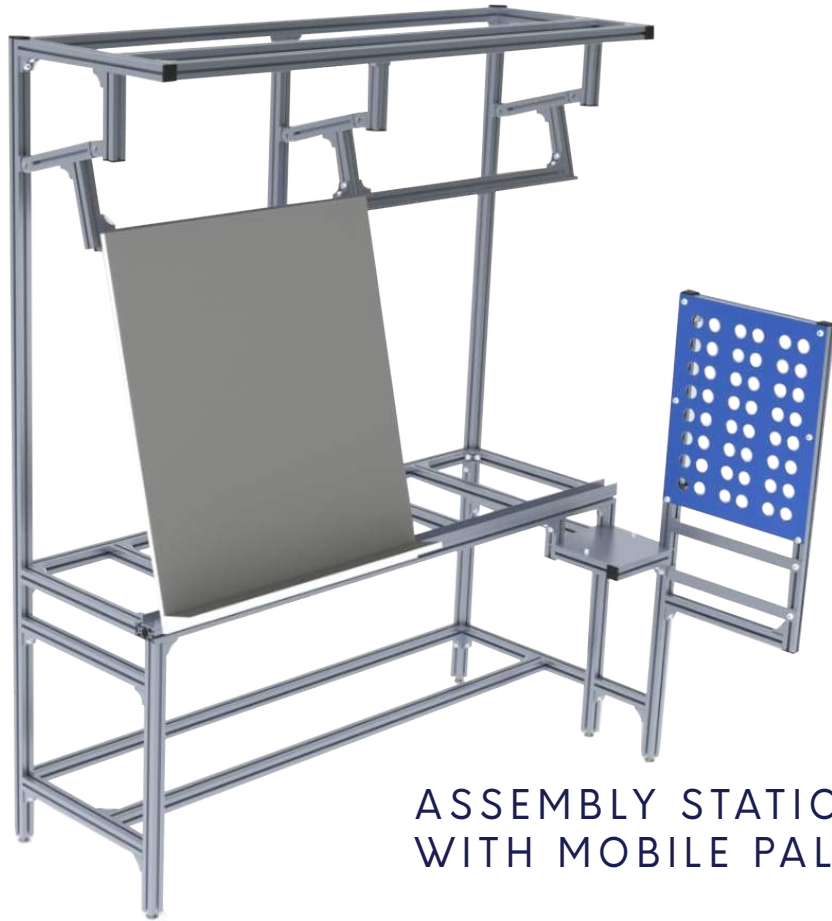
WORK TABLE

## PACKAGE STATION



# WORKSTATION

---



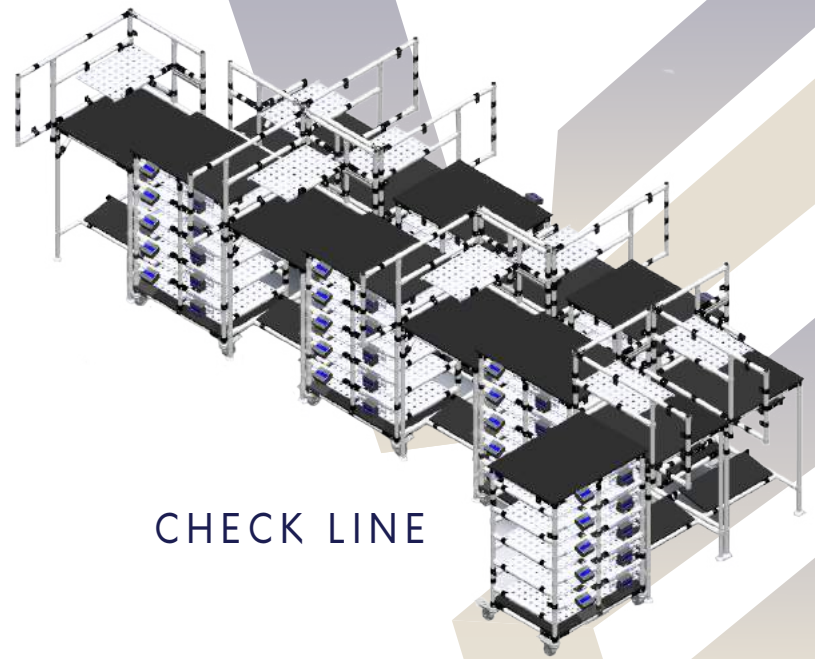
ASSEMBLY STATION  
WITH MOBILE PALLET



# PRODUCTION LINE

---

SIX STATIONS IN ONE



CHECK LINE



SIX IN ONE. PACKING LINE

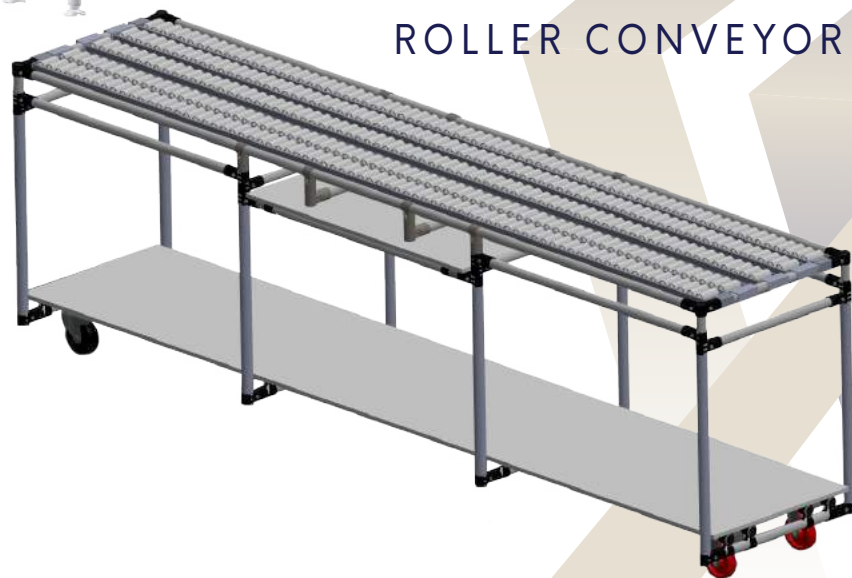
# PRODUCTION LINE

---

CONVEYOR WITH  
BALL TRANSFER



ROLLER CONVEYOR



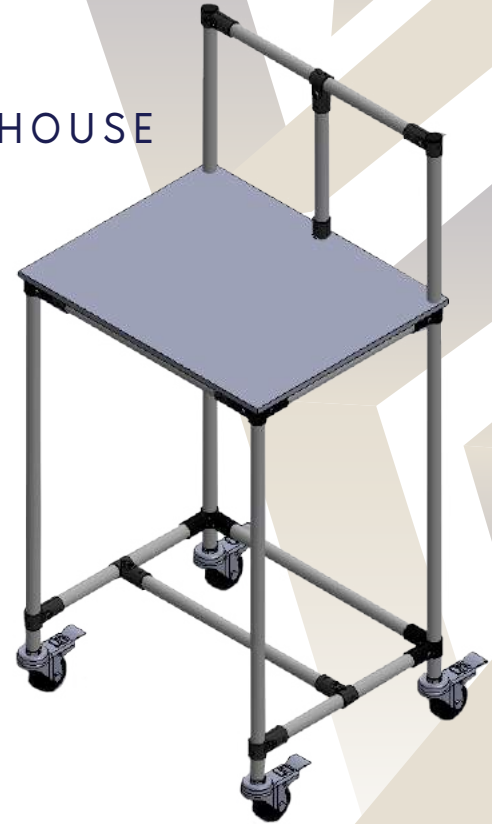


# CARS

CHECK CAR



WAREHOUSE  
CAR



# CARS



GRAVITY CAR

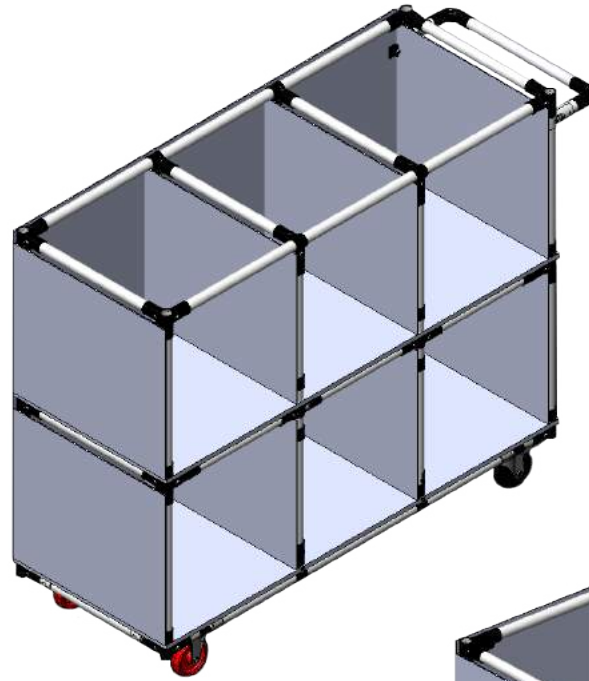
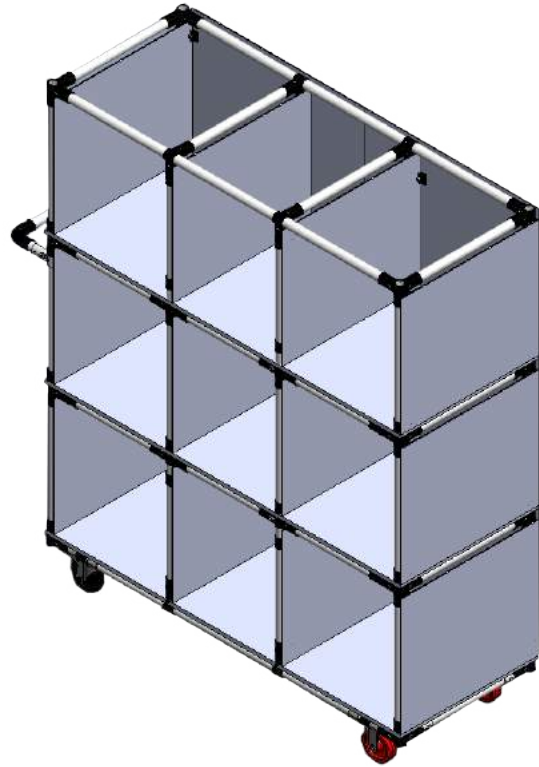


WAREHOUSE  
CAR

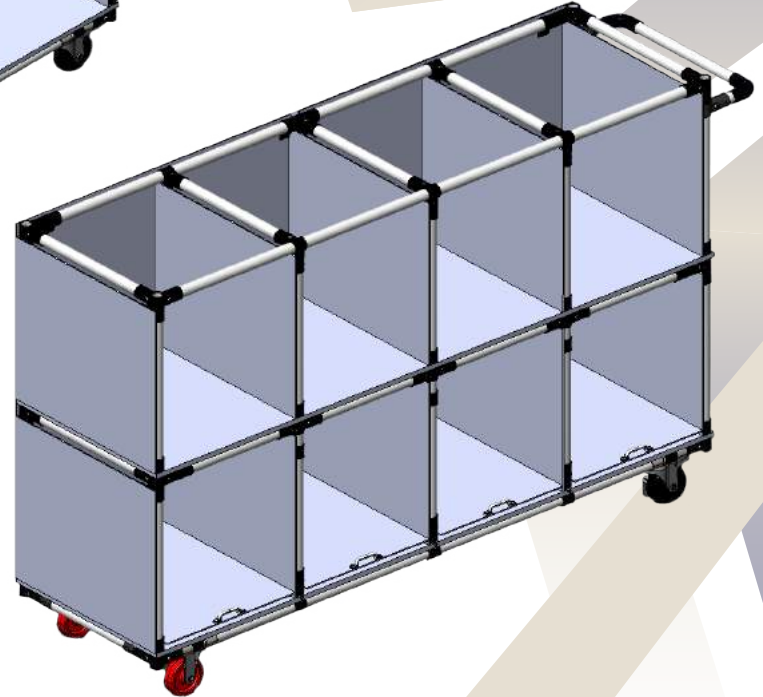
MODULAR CAR



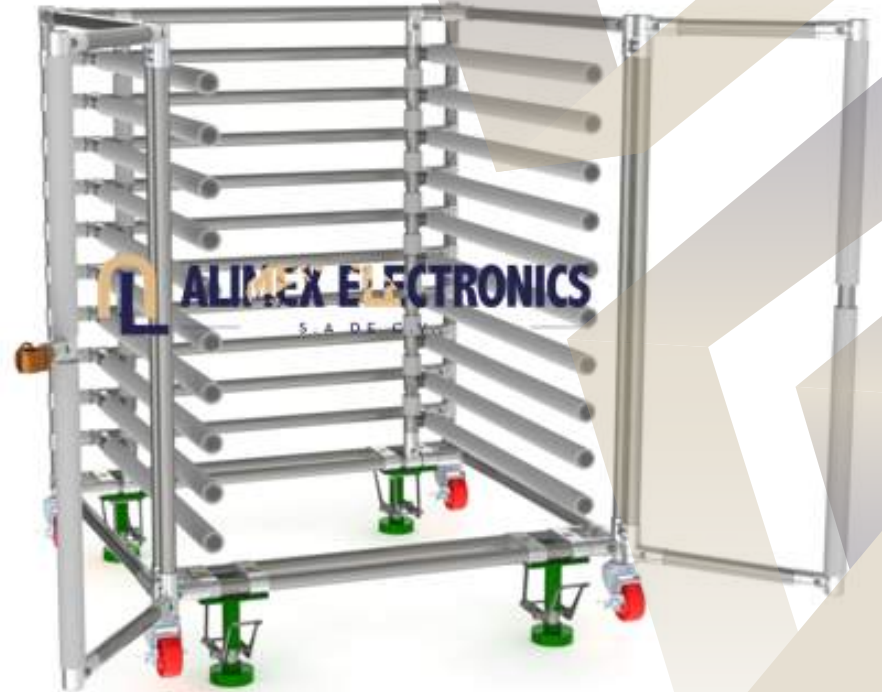
# CARS



TROLLEY WITH DIVIDERS  
FOR STORAGE



# CARS



CARRIAGE CAR

# RACKS



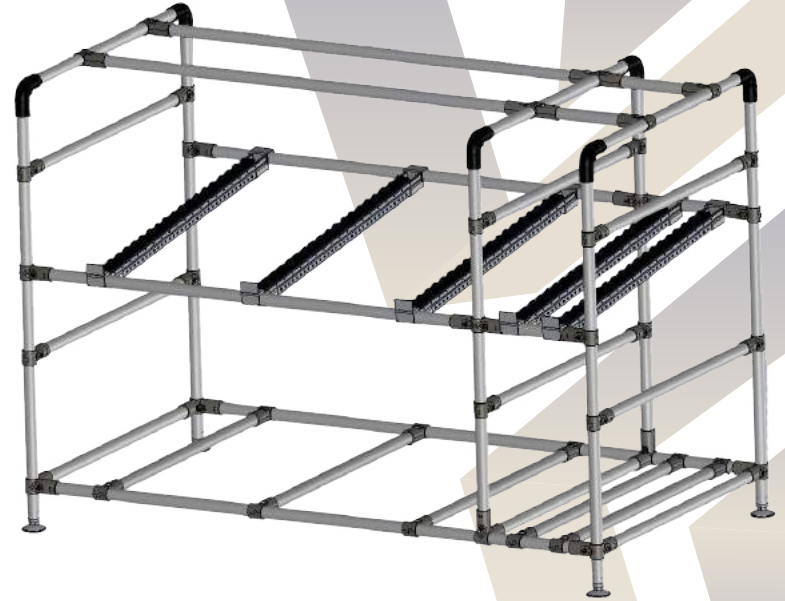
REEL RACK



GRAVITY RACK

# RACKS

---



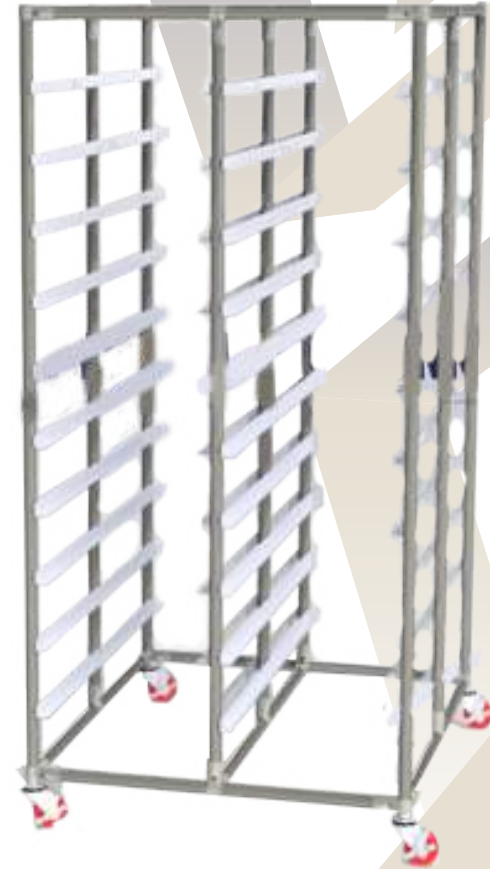
UPPER RACK

# RACKS



RACK IN ALUMINUM PROFILE  
WITH ESD BINES

TRAY RACK



# RACKS



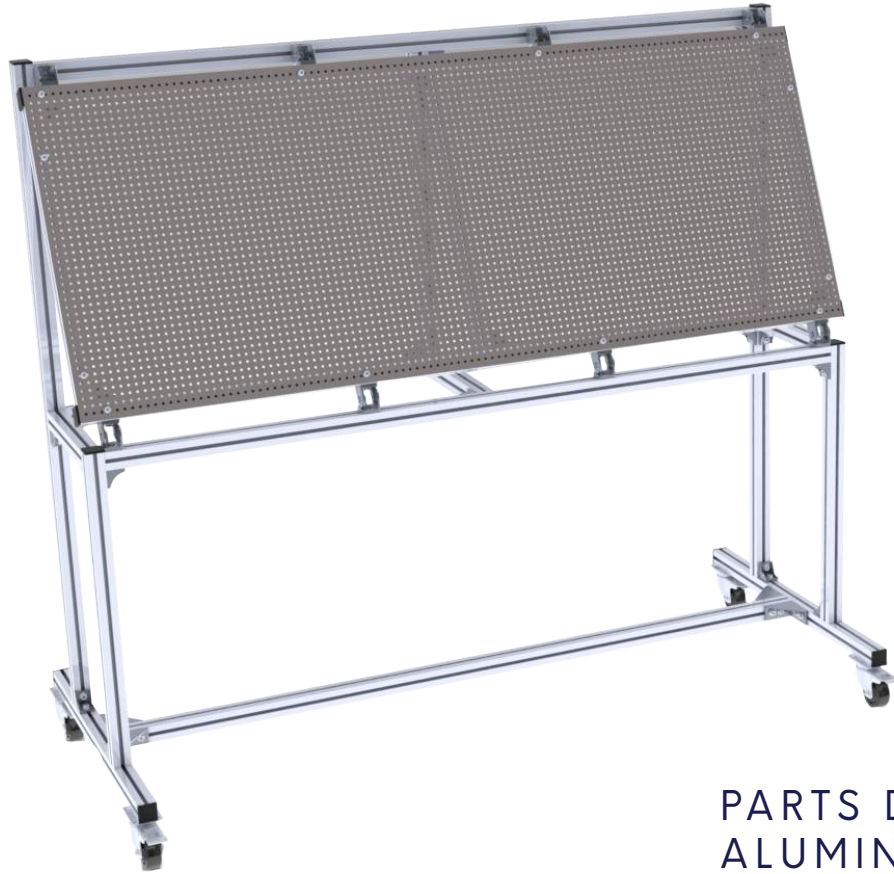
BIN RACK





# STRUCTURAL DISPLAY

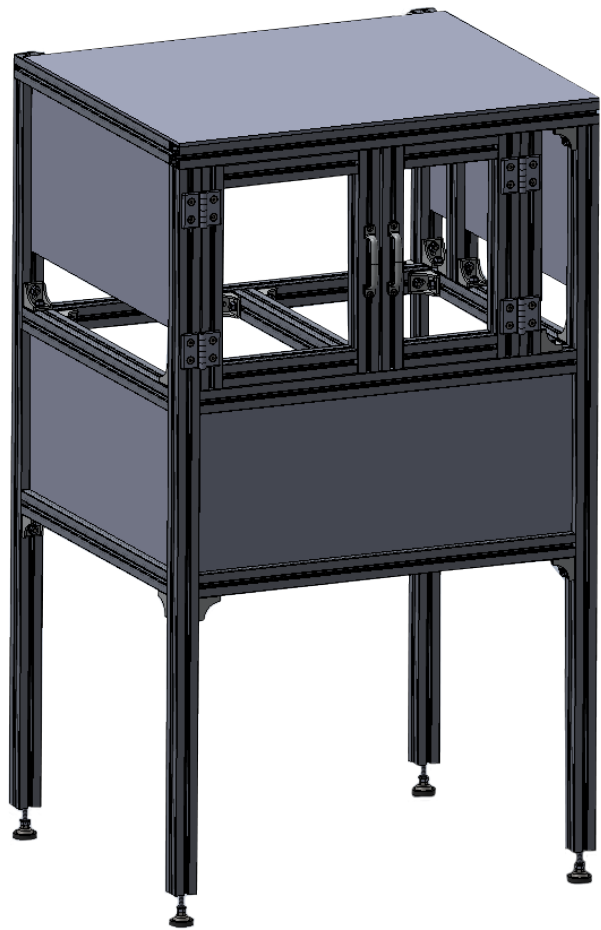
---



PARTS DISPLAY IN  
ALUMINUM PROFILE

# CABINS

---



# OFFICE EQUIPMENT

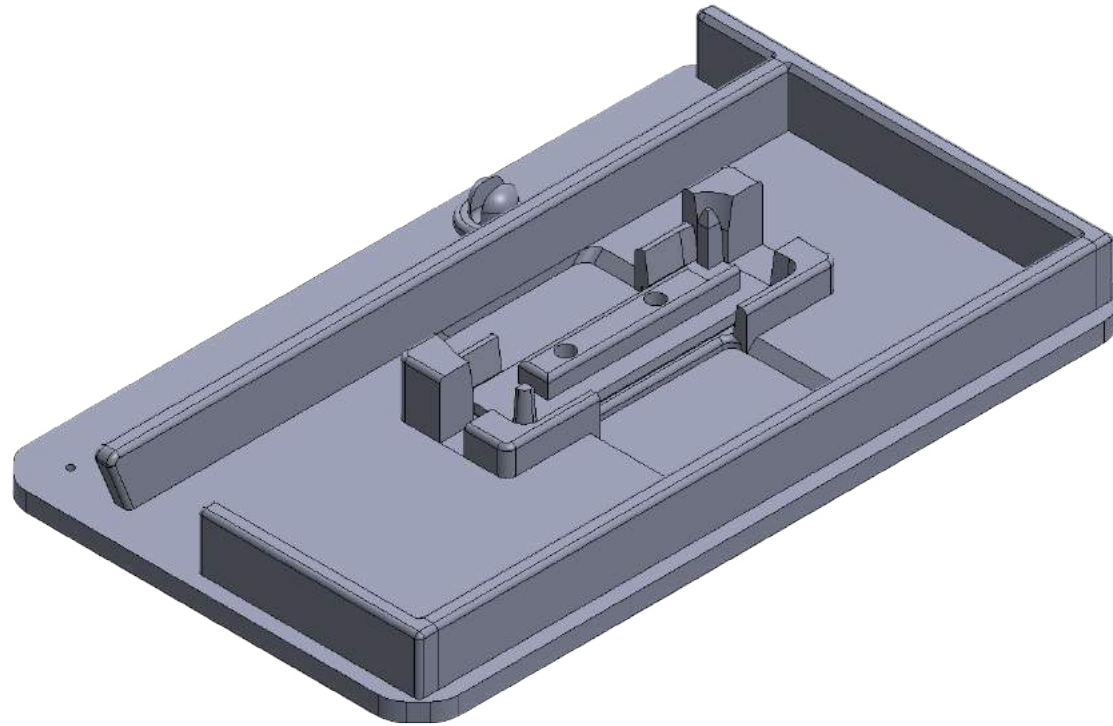


DESK WITH DRAWERS



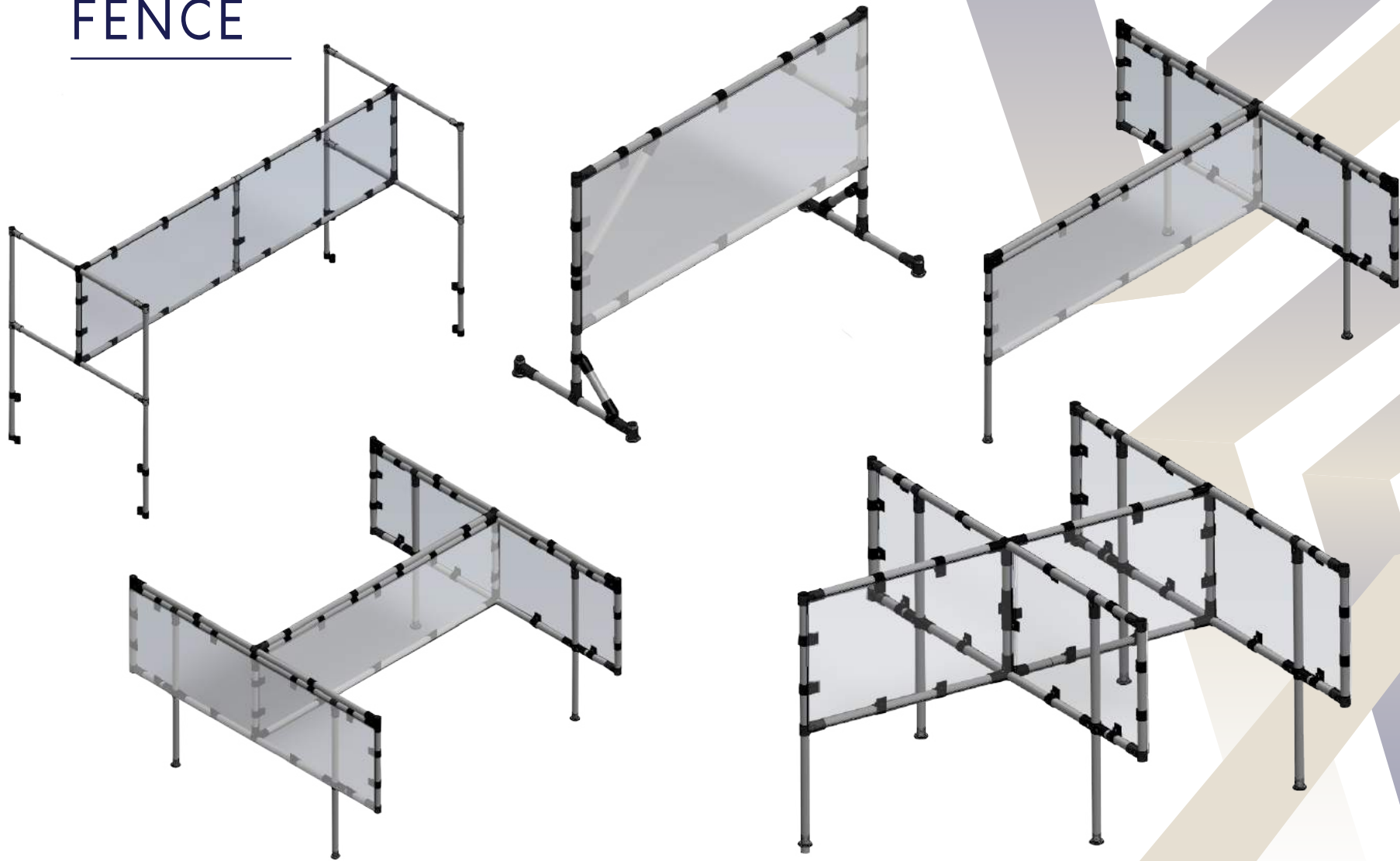
WORK TABLE

# FIXTURE



# FENCE

---



# CORRUGATED PLASTIC BOX

---





# ALIMEX ELECTRONICS

S.A. DE C.V.

[www.alimexelectronics.com](http://www.alimexelectronics.com)

